

Sounders

Nexus Sounder (AC)

This high output sounder is designed for industrial applications.

Connections are made to the base during the initial wiring phase which results in faster and more reliable installation. In addition, the head is fixed by quarter turn fasteners avoiding the need to screw up four individual screws thus enabling faster installation and accurate seal compression for weatherproofing.

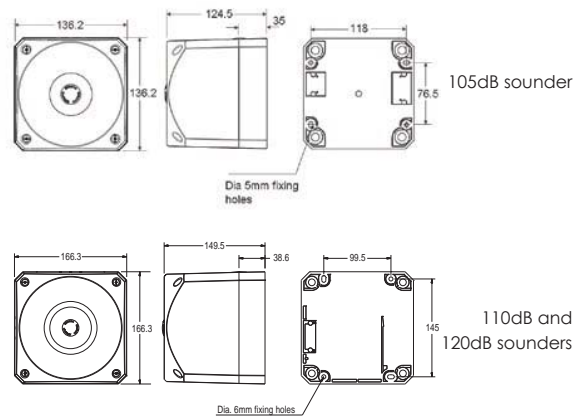
IP66 as standard means that Nexus can be installed in almost any location.

Features

- Three alarm stages (110dB & 120dB variants)
- **First-fix, wire to base technology**
- IP66 rated
- **Volume control for greater flexibility - 20dB**
- 64 tones
- Low voltage option



Applications - Conveyors; process control alarm; cranes; moving machinery; general signalling



Specifications

Part No.	Description	Audibility at 1m	Tones	Voltage	Current (tone dependent)
PNS-0009	Nexus 105	Up to 113dB (A)	64	110/230V AC	40mA (max)
PNS-0018	Nexus 110	Up to 116dB (A)	64	110/230V AC	40mA (max)
PNS-0020	Nexus 110	Up to 116dB (A)	64	24-48V AC	10-50mA
PNS-0011	Nexus 120	Up to 120dB (A)	64	110/230V AC	200mA (max)

IP Rating: IP66 Operating Temp: -25°C to +55°C Cable Entries: 5 Weight: 105dB Sounder - 0.7kg; 110dB Sounder - 1.1Kg; 120dB Sounder - 1.8Kg